

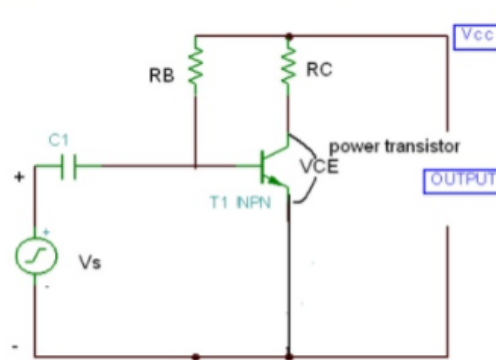


Makers Next Gen
Education Foundation

Register Now: Makers Next Gen Club

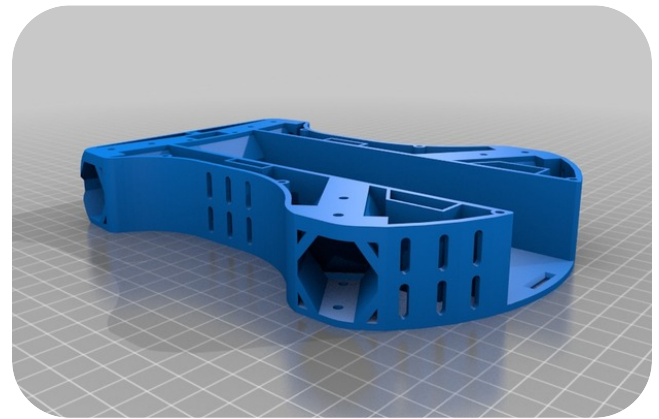
- **Electronics (Basics)**

- Movement of electrons
- Periodic Table
- Atomic make up
- Valence Electrons
- Conductors/Insulators
- Circuits (Series, Parallel, Mixed)
- Ohm's Law
- Use Multi-meter
- Practical Hands on Learning



- **3D modeling/Printing**

- Learn about 3D space
- Design and create 3D models
- Learn how to modify objects
 - add or subtract material
- Learn about the additive manufacturing process
- Understand how and SLA printer works
- Design and bring home your own 3D printed part.



Class	Dates	Time	Tuition
Electronics	8/19, 26 9/9, 23, 30 10/2	3:30 - 5 PM	\$ 164
3D Modeling/Printing	10/28 11/4, 18, 25 12/2, 9, 16	3:30 - 5 PM	\$184
Combo - Both Classes (full semester)	all dates above	3:30 - 5 PM	\$329

Notice: No class on no school days (9/1, 9/16, or 11/11)

Grades - 2- 5 (Classes limited to 10 students, Combo students get placement before single class students)

Questions - Please call Jason @ (586) 604-3784 or email @ jason.buchanan@mngef.org

Early registration is encouraged as classes fill up quickly!

REGISTRATION

Online Registration & Payment:
<https://www.mngef.org/great-hearts.html>

Check Payment

(registration online is still required):
Please make checks payable to MNGEF



GreatHearts
CLASSICAL EDUCATION. REVOLUTIONARY SCHOOLS.